

P5 Series

P5 Universal Dry Pressure

1", 5", 5" plus, 10", and 25" W.C. versions with four selectable sub-ranges

1250, 2500, 6250 Pa versions with four selectable sub-ranges

Optional LCD display; LED indicator standard

Dual 0-5/10VDC, 4-20mA (loop and 3-wire)

PATENT PENDING



DESCRIPTION

The P5 universal dry media pressure transmitter accurately measures multiple ranges optimized for building (zone) pressure, filter measurement, and static duct applications. Selectable outputs and uni/bi directional readings reduce inventory. Innovative probe integrates with unit or can be mounted remotely for static pressure. Optional LCD for panel mount readings and set up. PATENT PENDING.

APPLICATIONS

- Building (zone) pressure
- Filter condition measurement
- Duct/static



Manual/remote zero. Selectable outputs.
Uni/bi directional. Four sub-ranges.



High capacity DIN mount saves valuable panel space



Conduit Ready



Gasketed probe with integrated dampening tip
for stable readings



Made in the USA and backed by a seven year
limited warranty

FEATURES

- Duct, filter, and remote probe applications all in one
- Universal output reduces inventory and call-backs
- Selectable sub-ranges reduces inventory and call-backs
- Zero calibration push button and remote contact input
- Non-position sensitive for easy placement
- Dual DIN mount: Side mount density conserves valuable panel space, flat panel mount for LCD viewable panel mount.
- Conduit ready for for 3/8" flex connectors...no extra parts required
- LED: Power heartbeat, auto-zero complete, 110% over pressure; facilitates locating sensor in ductwork

ORDERING

<p>P5 <input type="checkbox"/></p> <p>Pressure Range</p> <p>0100 = 0-1" w.c. (w/subranges) 0500 = 0-5" w.c. (w/subranges) 0501 = 0-5" w.c. (w/subranges) 1000 = 0-10" w.c. (w/subranges) 2500 = 0-25" w.c. (w/subranges) 1250Pa = 0-1250Pa (w/subranges) 2500Pa = 0-2500Pa (w/subranges) 6250Pa = 0-6250Pa (w/subranges)</p>	<p style="text-align: center;">-</p> <p>1 <input type="checkbox"/></p> <p>Accuracy</p> <p>1 = 1.00% of range</p>	<p><input type="checkbox"/></p> <p>Display</p> <p>L = LCD X = No Display</p>	<p><input type="checkbox"/></p> <p>Duct Probe</p> <p>P = Duct Probe X = No Probe</p>
---------------------------------------------------------------------------------------------------------------------------------------------------------------------------------------------------------------------------------------------------------------------------------------------------------------------------------------------------------------------------------------------------------------------------------------	--------------------------------------------------------------------------------------------------------------------------------	--------------------------------------------------------------------------------------------------	----------------------------------------------------------------------------------------------------------

Selectable Subranges by Pressure Range

- 0100 = 0-1" w.c. (Selectable 0.1, 0.25, 0.5, 1.0, ±0.1, ±0.25, ±0.5, ±1.0" WC)
- 0500 = 0-5" w.c. (Selectable 0.1, 0.25, 2.5, 5.0, ±0.1, ±0.25, ±2.5, ±5.0" WC)
- 0501 = 0-5" w.c. (Selectable 0.5, 1.0, 2.5, 5, ±0.5, ±1.0, ±2.5, ±5" WC)
- 1000 = 0-10" w.c. (Selectable 1.0, 2.5, 5.0, 10, ±1.0, ±2.5, ±5.0, ±10" WC)
- 2500 = 0-25" w.c. (Selectable 5.0, 10, 15, 25, ±5.0, ±10, ±15, ±25" WC)
- 1250Pa = 0-1250Pa (Selectable 25, 50, 625, 1250, ±25, ±50, ±625, ±1250 Pa)
- 2500Pa = 0-2500Pa (Selectable 250, 625, 1250, 2500, ±250, ±625, ±1250, ±2500 Pa)
- 6250Pa = 0-6250Pa (Selectable 1250, 2500, 3750, 6250, ±1250, ±2500, ±3750, ±6250 Pa)

Example part number P5-0500-1LP

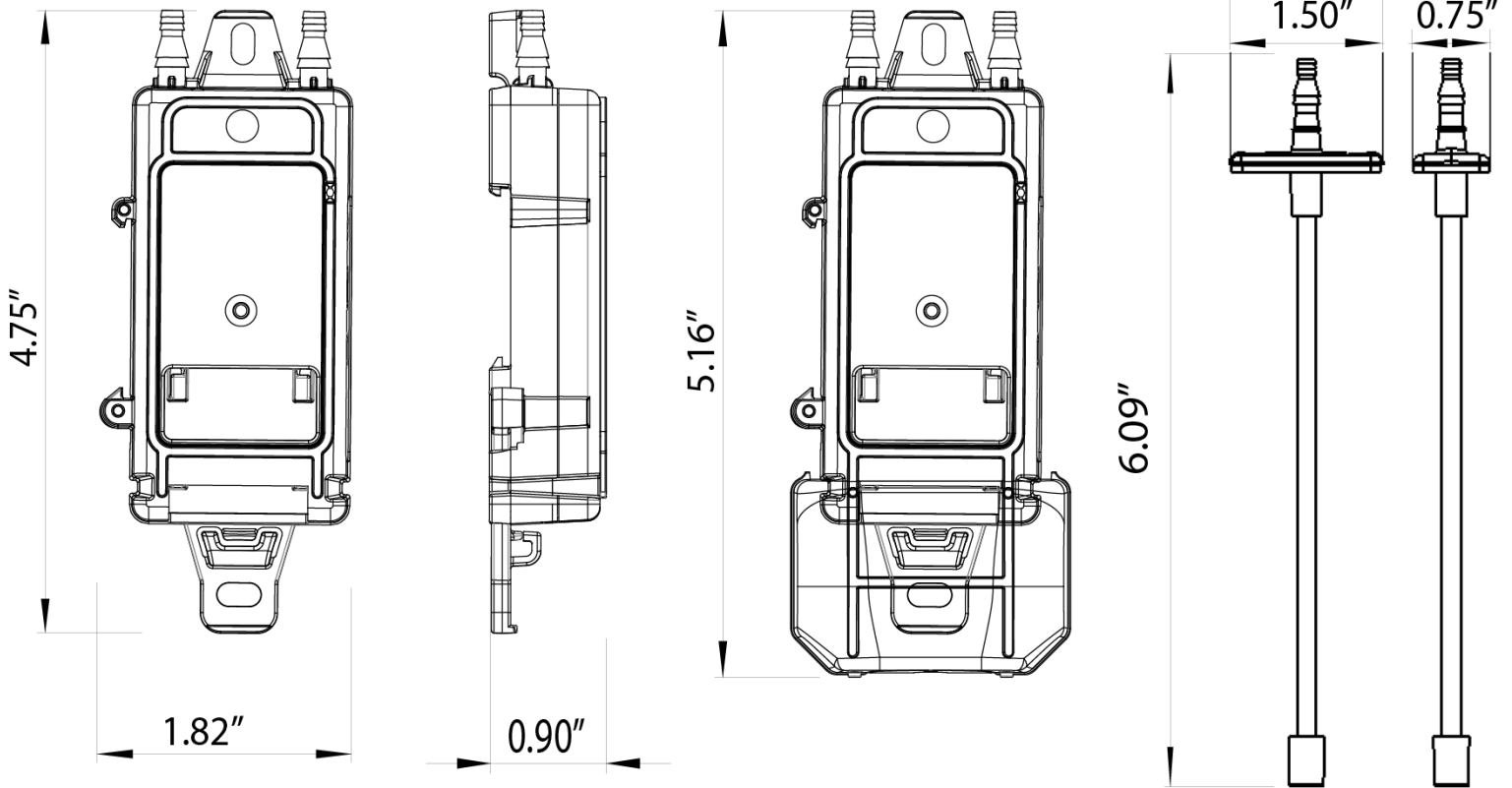
Universal pressure sensor, 0-5" full scale range (selectable sub-ranges) with LCD and Duct Probe.

Additional Remote Probes Available

RP-6 Remote/duct probe, 6"

- RP-6 remote probe with integrated dampener for accurate measurements.
- Accepts both 1/8" and 1/4" tubing.
- **Note:** One probe comes standard with "P" product

DIMENSIONS



Warning: The datasheet is designed for reference only. Refer to installation instructions that accompany the product and heed all safety instructions. Product improvement is a continuing process at Senva. Changes may occur to products without prior notice

SPECIFICATIONS		
Power Supply		12-30VDC/24VAC(1), 30mA max
Output type	Selectable outputs	4-20mA loop powered, 4-20 mA 3-wire, 0-5VDC, 0-10VDC
Output scaling	P5-0100	0-1" (Selectable 0.1, 0.25, 0.5, 1.0, ± 0.1 , ± 0.25 , ± 0.5 , ± 1.0 "WC)
	P5-0500	0-5" (Selectable 0.1, 0.25, 2.5, 5.0, ± 0.1 , ± 0.25 , ± 2.5 , ± 5.0 "WC)
	P5-0501	0-5" (Selectable 0.5, 1.0, 2.5, 5, ± 0.5 , ± 1.0 , ± 2.5 , ± 5 "WC)
	P5-1000	0-10" (selectable 1.0, 2.5, 5.0, 10, ± 1.0 , ± 2.5 , ± 5.0 , ± 10 "WC)
	P5-2500	0-25" (selectable 5.0, 10, 15, 25, ± 5.0 , ± 10 , ± 15 , ± 25 " WC)
	P5-1250Pa	0-1250 Pa (selectable 25, 50, 625, 1250, ± 25 , ± 50 , ± 625 , ± 1250 Pa)
	P5-2500Pa	0-2500 Pa (selectable 250, 625, 1250, 2500, ± 250 , ± 625 , ± 1250 , ± 2500 Pa)
	P5-6250Pa	0-6250 Pa (selectable 1250, 2500, 3750, 6250, ± 1250 , ± 2500 , ± 3750 , ± 6250 Pa)
Operating Temperature	Operating range	-4 to 140F (-20 to 60°C)
	Compensated range	-4 to 140F (-20 to 60°C)
Media compatibility		Dry, oil-free air, N2
Sensor Type		MEMS silicon piezoresistive; precision calibrated
Sensor Performance	Accuracy	$\pm 1.0\%$ of selected range (combined linearity and hysteresis)
	Zero Tolerance	Included in accuracy specification
	Span Tolerance	$\pm 1.00\%$
	Zero Drift (1 year)	0.004"Wc/year max. 0.4% for units >0.5"w.c.
	Auto-zero input	Push-button and contact closure
	Thermal Shift (Zero and Span)	0.02% FSO/°C (0.01%FSO/°F) measured from 22°C (72°F)
	Overpressure	up to 5" models: 41.5"w.c.; 10" models: 133"w.c.; 25" models: 332"w.c.
	Max Static Line Pressure	up to 5" models: 41.5"w.c.; 10" models: 133"w.c.; 25" models: 332"w.c.
	Burst Pressure	up to 5" models: 83"w.c.; 10" models: 166"w.c.; 25" models: 415"w.c.
	Position Sensitivity	Non-position sensitive
	Auto-zero input	Push-button and N.O. contact closure
Agency	Compliance	CE, RoHS
Enclosure	Flammability	UL94 5VB
	Environmental	NEMA 1

(1) One side of transformer secondary is connected to signal common. Dedicated transformer is recommended.

* Product improvement is a continual process as Senva and product features and specification may change without prior notice. Refer to instructions that accompany the product for installation and wiring.